



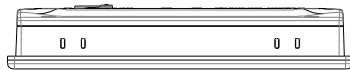
### Features

- 7" 800 x 480 TFT LCD, LED Backlight
- Fan-less Cooling System
- COM2 and COM3 RS-485 support MPI 187.5K, please use one at one time
- PCB coating process ensures high reliability to resist from corrosion in harsh environment
- Built-in Power Isolation
- NEMA4 / IP65 Compliant Front Panel

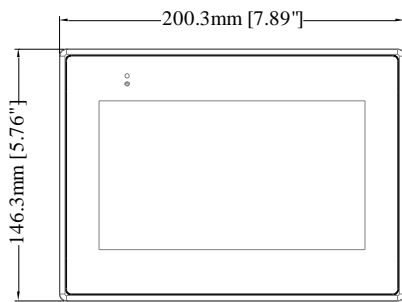
<b>Display</b>	Display	7" TFT
	Resolution	800 x 480
	Brightness (cd/m <sup>2</sup> )	400
	Contrast Ratio	500:1
	Backlight Type	LED
	Backlight Life Time	>30,000 hrs. <a href="https://www.xueplc.com/weinview-hmi-software-manual.html">https://www.xueplc.com/weinview-hmi-software-manual.html</a>
	Colors	16.7M
	LCD Viewing Angle (T/B/L/R)	70/50/70/70
<b>Touch Panel</b>	Type	4-wire Resistive Type
	Accuracy	Active Area Length(X)±2%, Width(Y)±2%
<b>Memory</b>	Flash	128 MB
	RAM	128 MB
<b>Processor</b>		32 bits RISC Cortex-A8 600MHz
<b>I/O Port</b>	SD Card Slot	N/A
	USB Host	USB 2.0 x 1
	USB Client	N/A
	Ethernet	10/100 Base-T x 1
	COM Port	COM1: RS-232 COM2: RS-485 2W/4W COM3: RS-485 2W
	RS-485 Dual Isolation	N/A
	CAN Bus	N/A
	HDMI	N/A
	Audio Output	N/A
	Video Input	N/A
	<b>RTC</b>	
<b>Power</b>	Input Power	24±20%VDC
	Power Isolation	Built-in
	Power Consumption	450mA@24VDC (Includes power consumption of USB device.)
	Voltage Resistance	500VAC (1 min.)
	Isolation Resistance	Exceed 50MΩ at 500VDC
	Vibration Endurance	10 to 25Hz (X, Y, Z direction 2G 30 minutes)
<b>Specification</b>	PCB Coating	Yes

	Enclosure	Plastic
	Dimensions WxHxD	200.3 x 146.3 x 34 mm
	Panel Cutout	192 x 138 mm
	Weight	Approx. 0.6 kg
	Mount	Panel mount
<b>Environment</b>	Protection Structure	NEMA4 / IP65 Compliant Front Panel
	Storage Temperature	-20° ~ 60°C (-4° ~ 140°F)
	Operating Temperature	0° ~ 50°C (32° ~ 122°F)
	Relative Humidity	10% ~ 90% (non-condensing)
<b>Certificate</b>	CE	CE marked
	ATEX	ATEX Zone 2/22 Category 3 G/D
<b>Software</b>		EasyBuilder Pro V4.10.04 or later versions

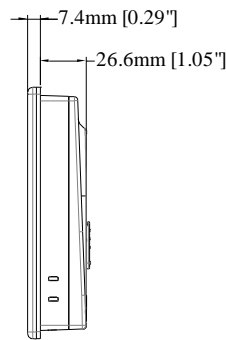
## Dimensions



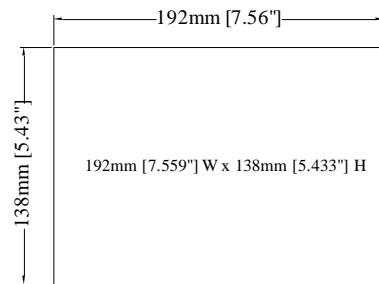
Top View



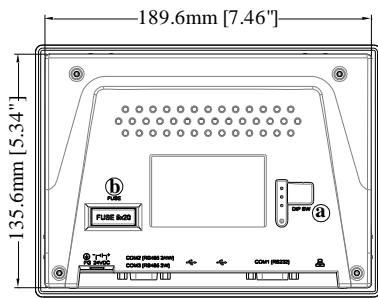
Front View



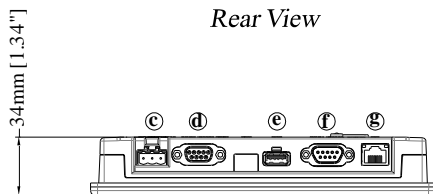
Side View



Cutout Dimensions



Rear View



Bottom View

<b>a.</b>	DIP SW
<b>b.</b>	Fuse
<b>c.</b>	Power Connector
<b>d.</b>	COM2 RS-485 2W/4W, COM3 RS-485 2W
<b>e.</b>	USB Host
<b>f.</b>	COM1 RS-232
<b>g.</b>	Ethernet

## Ordering Information

- MT8071iE1:**  
7" 800 x 480 TFT LCD HMI, Built-in 128 MB flash memory / 128 MB DDR2 RAM on board

**Pin Assignment:****COM1 [RS232] 9 Pin, Male, D-sub**

PIN#	COM1 [RS232]
1	
2	RxD
3	TxD
4	
5	GND
6	
7	RTS
8	CTS
9	

**COM2 / COM3 [RS485] 9 Pin, Female, D-sub**

PIN#	COM2 [RS485]2W	COM2 [RS485]4W	COM3 [RS485]
1	Data-	Rx-	
2	Data+	Rx+	
3		Tx-	
4		Tx+	
5	GND		
6			Data-
7			
8			
9			Data+

Contact: WEINTEK LABS., INC. TEL: +886-2-22286770 Web: [www.weintek.com](http://www.weintek.com)

MT8071iE1\_DataSheet\_ENG\_20161018